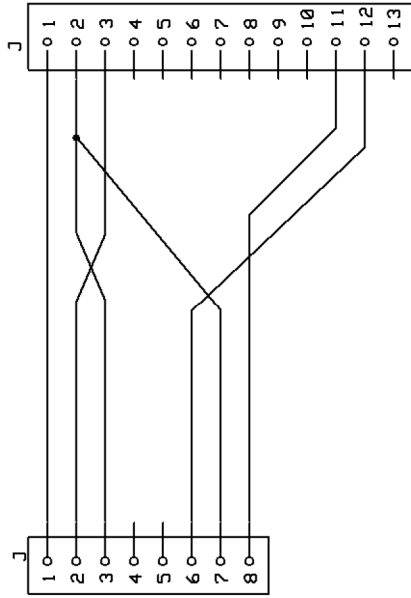


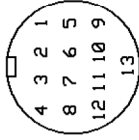
P7

Plug-rear view

- 1 V+
- 2 DTR+
- 3 DTR-
- 4 RTS+
- 5 RTS-
- 6 Signal in
- 7 COMMON
- 8 Signal out



ICOM 703, 706, 7000



Plug-rear view

- 1 8V ($0.10 A$)
- 2 GND
- 3 HSEND ($HF/50 MHz$)
- 4 BDT
- 5 BAND ($703, 706$) (7000 optional)
- 6 ALC
- 7 YSEND (7000)
- 8 13.8V ($1 A$)
- 9 TKEY
- 10 FSKK
- 11 MOD
- 12 AF
- 13 SOLS

Revision history
 1.0 Released 5/2006
 1.1 Swap RTS and DTR 6/2007

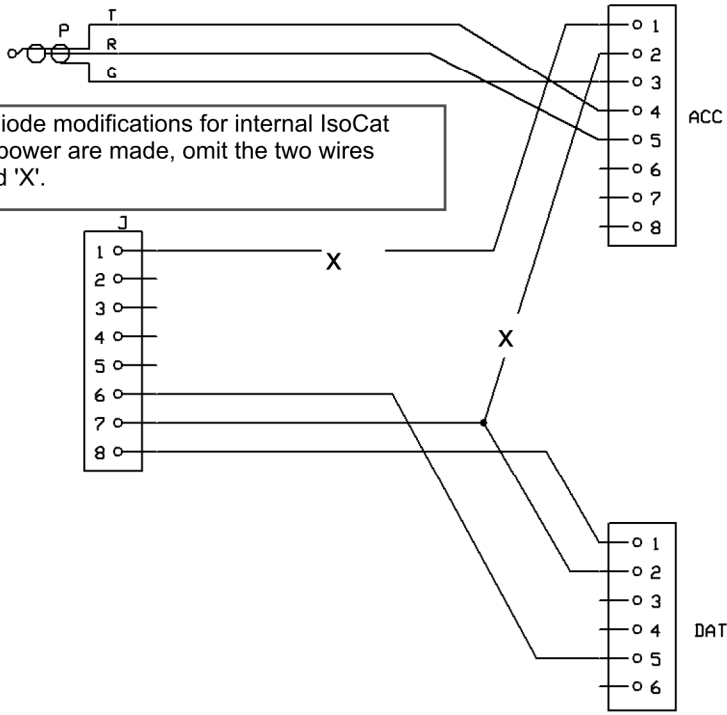
NSBIA

IsoCat Signal Cable

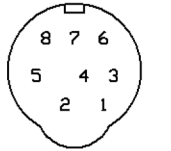
Bill - NSBIA

Rev 1.1
 5/7/2006

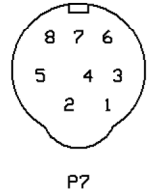
Cable Diagrams



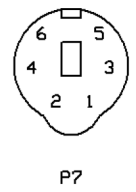
If the diode modifications for internal IsoCat buffer power are made, omit the two wires marked 'X'.



- P7
Plug-rear view
- 1 V+
 - 2 DTR+
 - 3 DTR-
 - 4 RTS+
 - 5 RTS-
 - 6 Signal in
 - 7 COMMON
 - 8 Signal out



- 1 13.8V
- 2 TX GND
- 3 GND
- 4 TXD
- 5 RXD
- 6 BAND DATA
- 7 ALC
- 8 TX INH



- 1 DATA IN
- 2 GND
- 3 PTT
- 4 DATA OUT
- 5 DATA OUT
- 6 SQL

Revision history
1.0 Released 6/2006

| | |
|---------------|--|
| IsoCat | |
| Bill - NSBIA | |